

Bryan W. Shaw, Ph.D., *Chairman*
Buddy Garcia, *Commissioner*
Carlos Rubinstein, *Commissioner*
Mark R. Vickery, P.G., *Executive Director*



TEXAS COMMISSION ON ENVIRONMENTAL QUALITY

Protecting Texas by Reducing and Preventing Pollution

June 4, 2010

Mr. William P. Dornsife, P.E.
Executive Vice President, Licensing and Regulatory Affairs
Waste Control Specialists, LLC
5430 LBJ Freeway, Suite 1700
Dallas, Texas 75240

RE: Staff Review of WCS Response to Technical Notice of Deficiency Radioactive Material License
No. R04100
CN600616890/RN101702439

Dear Mr. Dornsife:

TCEQ staff members have conducted a preliminary review of the information submitted by WCS on May 25, 2010. This information was submitted in response to a technical notice of deficiency (TNOD) on your application for minor amendment of the above-referenced license. The information consisted of nine binders of information containing approximately 4,000 pages, including oversize drawings and confidential attachments.

Preliminary staff review indicates that some information requested in the TNOD is either missing or could not be located in your submittal. The following information and staff comments must be addressed so that we may continue our review in a timely manner.

I. Hydrogeological Conceptual Model:

1. Section I, page I-2 states, "The last two columns in Table 1 in Attachment 1.4 show information collected regarding general and/or peak pumping rates of PW-1, PW-7, Stock West (Stock B West), Stock East (Stock B East), and RH#1 (Ranch House #1) wells." This information could not be located in Table 1. This missing data is very crucial to understand the regional OAG water system. Please supply the missing data or state where the data may be located. Please also include corresponding times and durations when these pumpages were occurring.
2. The updated hydrogeological conceptual model provides geologic observations for the Dockum Group only. No attempt has been made to integrate the Dockum and OAG formations into a comprehensive hydrogeological conceptual model. WCS committed to providing a complete model during a meeting with TCEQ staff on May 11, 2010. Please provide an updated, comprehensive conceptual hydrogeological model to support the requested revisions of the license and also incorporate pre-construction studies, verification, and monitoring performed on the site.

3. The updated hydrogeologic conceptual model provided only qualitative support for the hypothesis that trapped air mechanisms are a dominant influence on the subsurface flow in the Dockum materials. Computational simulation of the effects of such mechanisms exercising, constitutive relations developed from core samples, requested by the TCEQ, were not attempted. Please provide this information.
4. The sensitivity study for the OAG groundwater flow model was based on 100 geostatistical realizations for the top of the Dockum, and did not address any other issues, such as boundary conditions, recharge, and hydraulic conductivities, or deficiencies noted in the original geostatistical study generating the utilized realizations. Please provide a complete response that addresses these issues. Please also include complete model package files in electronic formats so these model simulations can be evaluated and verified.
5. Attachment I.5 includes six tables of water level measurements containing more than 100 pages of data. Please provide electronic versions of the Excel spreadsheet files for Tables 1 through 6 (Water Level Data Since 2007) of Attachment I.5, to facilitate and expedite our review.

II. Construction Drawings:

1. Several errors have been noted in the construction drawings. The original drawings submitted with license application have been marked with red ink to highlight differences with the final construction drawings. Three examples described below have been scanned and are included as attachments to this letter.

Example 1: The drawing change narrative page identifies four corrections: "A, B, C, D;" however, the drawing SED-5 only shows "C".

Example 2: The drawing change narrative lists corrections "A through I." The drawing M2.3 does not show "H" and lists "L" which is not in the drawing change narrative.

Example 3: Staff could not locate change "I" in the drawing A1.08 and "L, M, N" in the corresponding drawing change narrative.

2. An incorrect format was used in the final construction drawings that were submitted. See Example 4 comment below. Please review all the drawings for similar omissions and errors, and then resubmit corrected drawings.

Example 4: This is an example of incorrect changes made to the "Final for construction" drawing. Drawing M0.04 shows hand drawn changes, and an old dated seal of the engineer. There are several other drawings like this. Please format all drawings like M0.02, which is done properly. All incorrectly modified documents should be properly re-formatted and re-submitted for review.

III. Electronic Version of WCS Response to TNOD:

1. Please provide an electronic format version of your submittal "Response to Technical Notice of Deficiency (TNOD) for Minor Amendment Application for Radioactive Material License No. R04100," excluding any confidential attachments, so that we may post these documents to our web site. Alternatively, you may post the documents on the WCS web site and provide a hyperlink to that site.

Mr. William P. Dornsife, P.E.

Page 3

June 4, 2010

Please submit the requested information as soon as possible or within twenty days of receipt of this letter so that we may complete our review in a timely manner. A second TNOD may be issued as we continue our review. Please contact me at (512) 239-5604 or by electronic mail at dclarke@tceq.state.tx.us if you have any questions or if you need additional information.

Sincerely,



Devane Clarke, Manager
Radioactive Material Licensing
Radioactive Materials Division
Texas Commission on Environmental Quality

DC/nlc

Enclosures

cc: Susan Jablonski, Director, Radioactive Materials Division
Shanker Tangirala, Radioactive Materials Division
Gary Smith, Manager, Radioactive Materials Division

Drawing Change Narrative

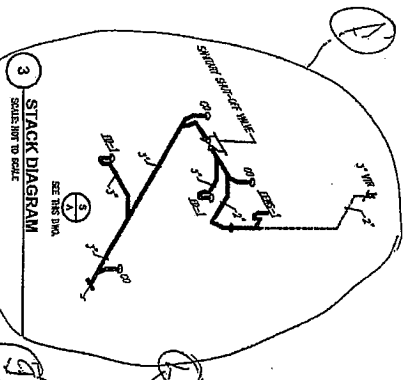
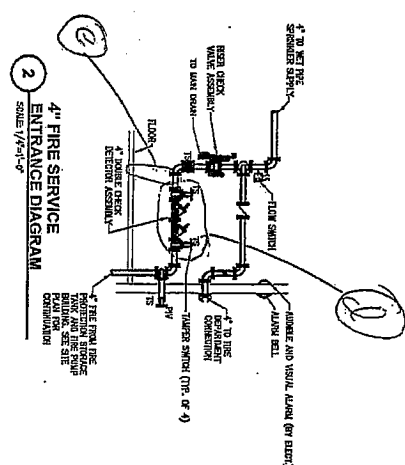
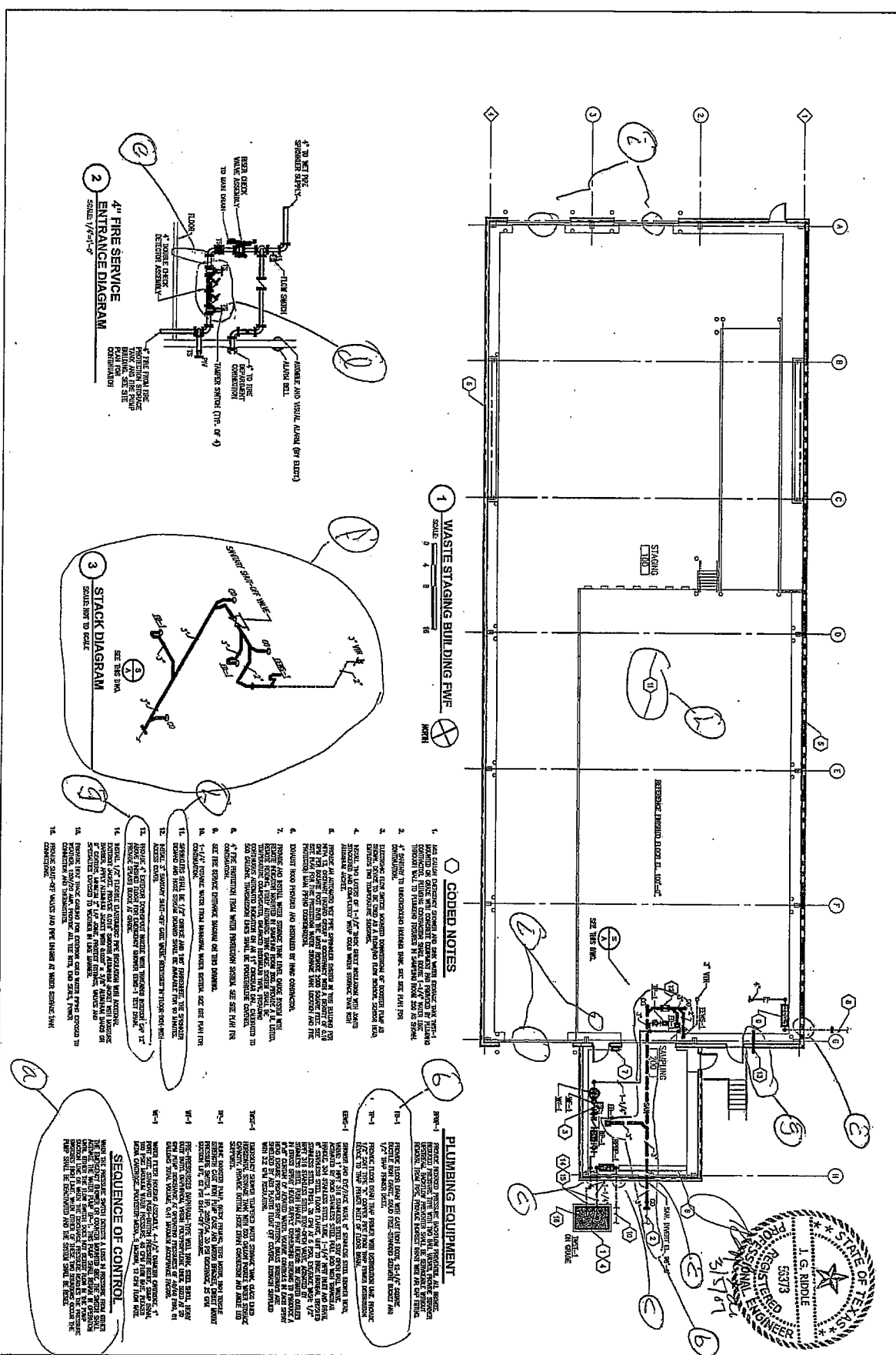
License Application 12c Drawing	License Condition 63 Drawing
SED-5: Site Electrical Details	SED-5: Site Electrical Details

- A. Added second fire pump – both pumps now 125 HP, generator now 300 KW.
- B. Added (2) new generator start contacts to accommodate second generator.
- C. Altered “Coded Notes” and added “General Note.”
- D. Changed Panel “Gen1” to add second fire pump, and for readability.

Drawing Change Narrative

License Application 12c Drawing	License Condition 63 Drawing
M2.3: FWF Waste Staging Building Plumbing Plans	M2.3: Waste Staging Building FWF Plumbing Plans

- A. Removed "Sequence of Control".
- B. Removed floor drains and drain traps.
- C. Removed drain lines.
- D. Removed double check valve assembly and associated isolation valves.
- E. Added floor support.
- F. Removed vent and drain diagram.
- G. Removed emergency shower test drain.
- H. Sprinkler requirement modified.
- I. Modified Coded Note 12.

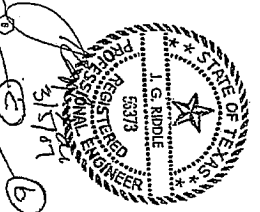


1 WASTE STAGING BUILDING FWF
SCALE: 1/4\"/>

- CODED NOTES**
1. THE BUILDING SHALL BE CONSTRUCTED IN ACCORDANCE WITH THE LATEST EDITIONS OF THE INTERNATIONAL BUILDING CODE (IBC) AND THE INTERNATIONAL PLUMBING CODE (IPC).
 2. THE BUILDING SHALL BE CONSTRUCTED IN ACCORDANCE WITH THE LATEST EDITIONS OF THE INTERNATIONAL BUILDING CODE (IBC) AND THE INTERNATIONAL PLUMBING CODE (IPC).
 3. THE BUILDING SHALL BE CONSTRUCTED IN ACCORDANCE WITH THE LATEST EDITIONS OF THE INTERNATIONAL BUILDING CODE (IBC) AND THE INTERNATIONAL PLUMBING CODE (IPC).
 4. THE BUILDING SHALL BE CONSTRUCTED IN ACCORDANCE WITH THE LATEST EDITIONS OF THE INTERNATIONAL BUILDING CODE (IBC) AND THE INTERNATIONAL PLUMBING CODE (IPC).
 5. THE BUILDING SHALL BE CONSTRUCTED IN ACCORDANCE WITH THE LATEST EDITIONS OF THE INTERNATIONAL BUILDING CODE (IBC) AND THE INTERNATIONAL PLUMBING CODE (IPC).
 6. THE BUILDING SHALL BE CONSTRUCTED IN ACCORDANCE WITH THE LATEST EDITIONS OF THE INTERNATIONAL BUILDING CODE (IBC) AND THE INTERNATIONAL PLUMBING CODE (IPC).
 7. THE BUILDING SHALL BE CONSTRUCTED IN ACCORDANCE WITH THE LATEST EDITIONS OF THE INTERNATIONAL BUILDING CODE (IBC) AND THE INTERNATIONAL PLUMBING CODE (IPC).
 8. THE BUILDING SHALL BE CONSTRUCTED IN ACCORDANCE WITH THE LATEST EDITIONS OF THE INTERNATIONAL BUILDING CODE (IBC) AND THE INTERNATIONAL PLUMBING CODE (IPC).
 9. THE BUILDING SHALL BE CONSTRUCTED IN ACCORDANCE WITH THE LATEST EDITIONS OF THE INTERNATIONAL BUILDING CODE (IBC) AND THE INTERNATIONAL PLUMBING CODE (IPC).
 10. THE BUILDING SHALL BE CONSTRUCTED IN ACCORDANCE WITH THE LATEST EDITIONS OF THE INTERNATIONAL BUILDING CODE (IBC) AND THE INTERNATIONAL PLUMBING CODE (IPC).
 11. THE BUILDING SHALL BE CONSTRUCTED IN ACCORDANCE WITH THE LATEST EDITIONS OF THE INTERNATIONAL BUILDING CODE (IBC) AND THE INTERNATIONAL PLUMBING CODE (IPC).
 12. THE BUILDING SHALL BE CONSTRUCTED IN ACCORDANCE WITH THE LATEST EDITIONS OF THE INTERNATIONAL BUILDING CODE (IBC) AND THE INTERNATIONAL PLUMBING CODE (IPC).
 13. THE BUILDING SHALL BE CONSTRUCTED IN ACCORDANCE WITH THE LATEST EDITIONS OF THE INTERNATIONAL BUILDING CODE (IBC) AND THE INTERNATIONAL PLUMBING CODE (IPC).
 14. THE BUILDING SHALL BE CONSTRUCTED IN ACCORDANCE WITH THE LATEST EDITIONS OF THE INTERNATIONAL BUILDING CODE (IBC) AND THE INTERNATIONAL PLUMBING CODE (IPC).
 15. THE BUILDING SHALL BE CONSTRUCTED IN ACCORDANCE WITH THE LATEST EDITIONS OF THE INTERNATIONAL BUILDING CODE (IBC) AND THE INTERNATIONAL PLUMBING CODE (IPC).
 16. THE BUILDING SHALL BE CONSTRUCTED IN ACCORDANCE WITH THE LATEST EDITIONS OF THE INTERNATIONAL BUILDING CODE (IBC) AND THE INTERNATIONAL PLUMBING CODE (IPC).

- PLUMBING EQUIPMENT**
- 1. 1/2\"/>

- SEQUENCE OF CONTROL**
1. THE BUILDING SHALL BE CONSTRUCTED IN ACCORDANCE WITH THE LATEST EDITIONS OF THE INTERNATIONAL BUILDING CODE (IBC) AND THE INTERNATIONAL PLUMBING CODE (IPC).
 2. THE BUILDING SHALL BE CONSTRUCTED IN ACCORDANCE WITH THE LATEST EDITIONS OF THE INTERNATIONAL BUILDING CODE (IBC) AND THE INTERNATIONAL PLUMBING CODE (IPC).
 3. THE BUILDING SHALL BE CONSTRUCTED IN ACCORDANCE WITH THE LATEST EDITIONS OF THE INTERNATIONAL BUILDING CODE (IBC) AND THE INTERNATIONAL PLUMBING CODE (IPC).
 4. THE BUILDING SHALL BE CONSTRUCTED IN ACCORDANCE WITH THE LATEST EDITIONS OF THE INTERNATIONAL BUILDING CODE (IBC) AND THE INTERNATIONAL PLUMBING CODE (IPC).
 5. THE BUILDING SHALL BE CONSTRUCTED IN ACCORDANCE WITH THE LATEST EDITIONS OF THE INTERNATIONAL BUILDING CODE (IBC) AND THE INTERNATIONAL PLUMBING CODE (IPC).
 6. THE BUILDING SHALL BE CONSTRUCTED IN ACCORDANCE WITH THE LATEST EDITIONS OF THE INTERNATIONAL BUILDING CODE (IBC) AND THE INTERNATIONAL PLUMBING CODE (IPC).
 7. THE BUILDING SHALL BE CONSTRUCTED IN ACCORDANCE WITH THE LATEST EDITIONS OF THE INTERNATIONAL BUILDING CODE (IBC) AND THE INTERNATIONAL PLUMBING CODE (IPC).
 8. THE BUILDING SHALL BE CONSTRUCTED IN ACCORDANCE WITH THE LATEST EDITIONS OF THE INTERNATIONAL BUILDING CODE (IBC) AND THE INTERNATIONAL PLUMBING CODE (IPC).
 9. THE BUILDING SHALL BE CONSTRUCTED IN ACCORDANCE WITH THE LATEST EDITIONS OF THE INTERNATIONAL BUILDING CODE (IBC) AND THE INTERNATIONAL PLUMBING CODE (IPC).
 10. THE BUILDING SHALL BE CONSTRUCTED IN ACCORDANCE WITH THE LATEST EDITIONS OF THE INTERNATIONAL BUILDING CODE (IBC) AND THE INTERNATIONAL PLUMBING CODE (IPC).
 11. THE BUILDING SHALL BE CONSTRUCTED IN ACCORDANCE WITH THE LATEST EDITIONS OF THE INTERNATIONAL BUILDING CODE (IBC) AND THE INTERNATIONAL PLUMBING CODE (IPC).
 12. THE BUILDING SHALL BE CONSTRUCTED IN ACCORDANCE WITH THE LATEST EDITIONS OF THE INTERNATIONAL BUILDING CODE (IBC) AND THE INTERNATIONAL PLUMBING CODE (IPC).
 13. THE BUILDING SHALL BE CONSTRUCTED IN ACCORDANCE WITH THE LATEST EDITIONS OF THE INTERNATIONAL BUILDING CODE (IBC) AND THE INTERNATIONAL PLUMBING CODE (IPC).
 14. THE BUILDING SHALL BE CONSTRUCTED IN ACCORDANCE WITH THE LATEST EDITIONS OF THE INTERNATIONAL BUILDING CODE (IBC) AND THE INTERNATIONAL PLUMBING CODE (IPC).
 15. THE BUILDING SHALL BE CONSTRUCTED IN ACCORDANCE WITH THE LATEST EDITIONS OF THE INTERNATIONAL BUILDING CODE (IBC) AND THE INTERNATIONAL PLUMBING CODE (IPC).
 16. THE BUILDING SHALL BE CONSTRUCTED IN ACCORDANCE WITH THE LATEST EDITIONS OF THE INTERNATIONAL BUILDING CODE (IBC) AND THE INTERNATIONAL PLUMBING CODE (IPC).

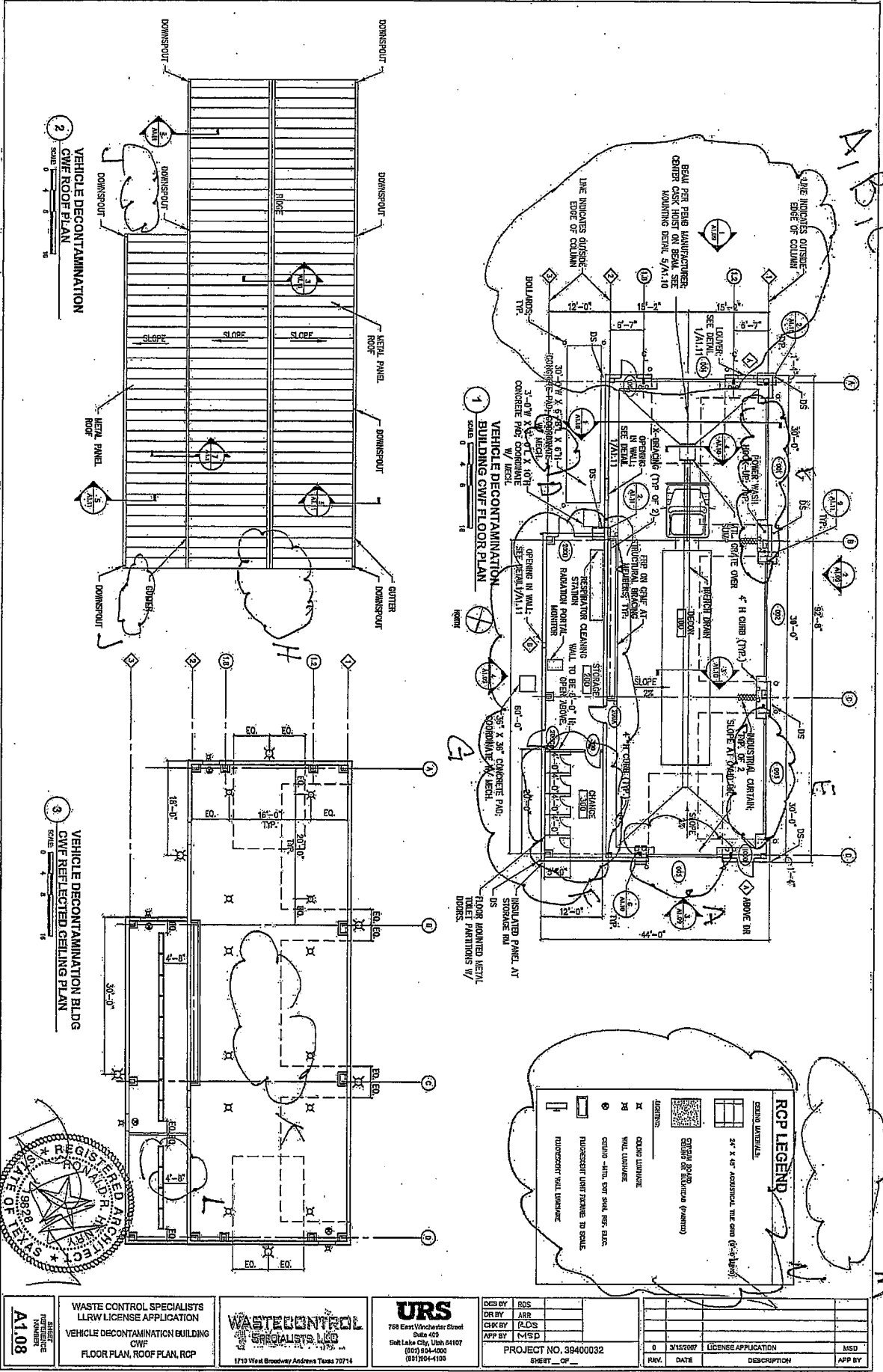


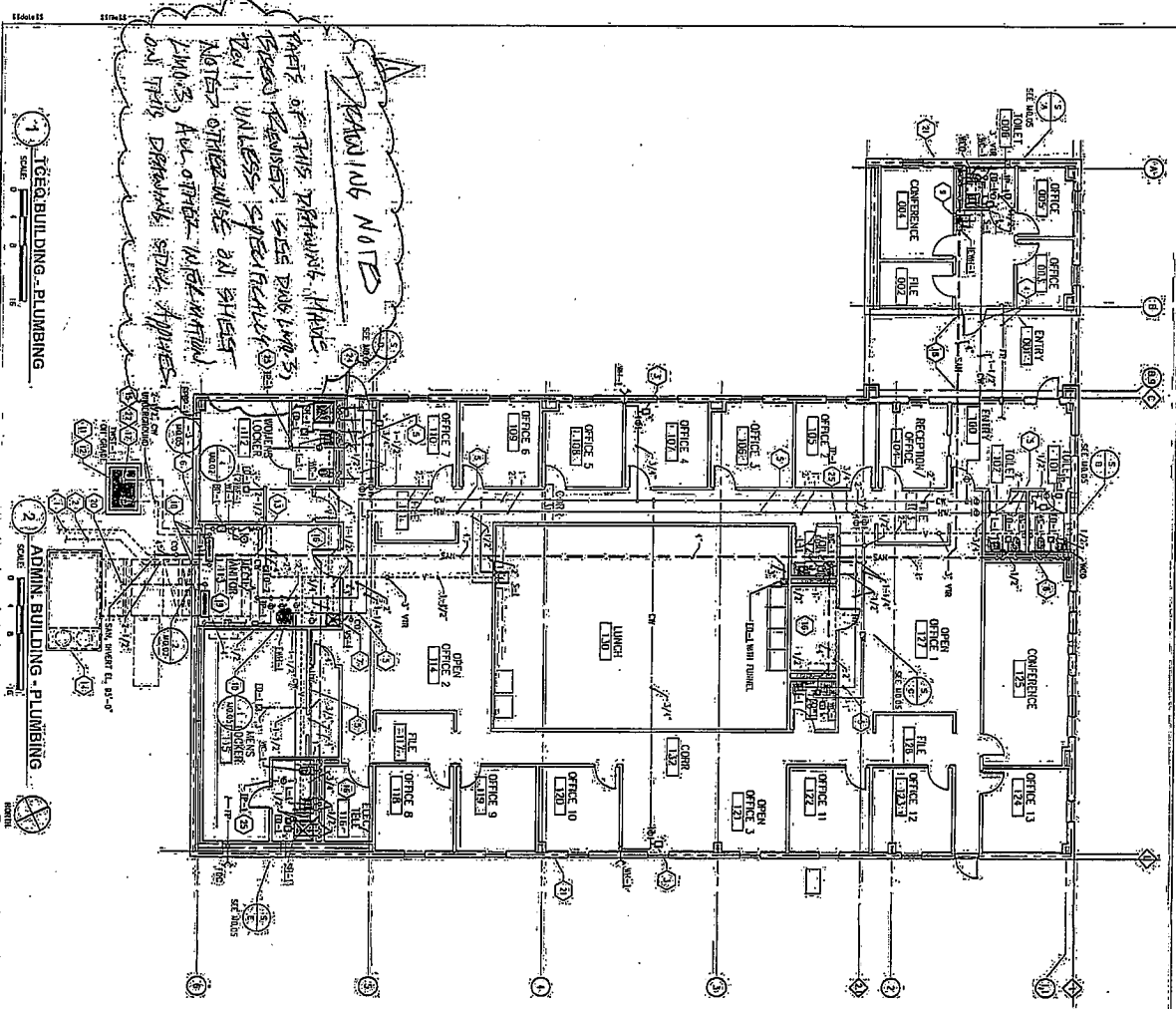
WASTE CONTROL SPECIALISTS LLRW LICENSE APPLICATION WASTE STAGING BUILDING FWF PLUMBING PLANS M2.3		URS 750 East Wacker Drive Suite 400 Salt Lake City, Utah 84119 801-531-8000 (801)904-4100	DESIGNED BY: HOU CHECKED BY: HOU APPRVED BY: HOU	PROJECT NO. 39400032 SHEET OF	0 5/1/2002 LICENSE APPLICATION MSD REV. DATE DESCRIPTION APP BY
			PROJECT NO. 39400032 SHEET OF	0 5/1/2002 LICENSE APPLICATION MSD REV. DATE DESCRIPTION APP BY	

Drawing Change Narrative

License Application 12c Drawing	License Condition 63 Drawing
A1.08: Vehicle Decontamination Building CWF Floor Plan, Roof Plan & RCP	A1.08: Decontamination Building CWF Floor Plan, Roof Plan & RCP

- A. Changed door size.
- B. Changed dimensions to edge of column.
- C. Added stoop.
- D. Changed mechanical pad depth from 6" to 8".
- E. Removed overhead doors.
- F. Reconfigured change room.
- G. Reconfigured storage room.
- H. Added lightning protection.
- I. Added plumbing vents.
- J. Added FRP panels on furring.
- K. Changed dimension.

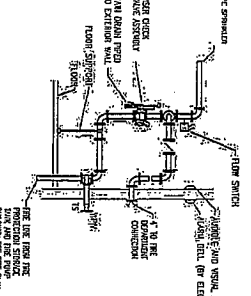




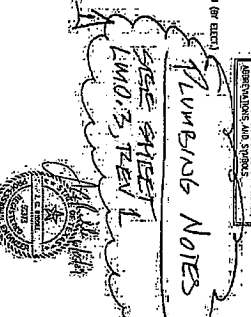
1 TQEQ BUILDING - PLUMBING
SCALE: 1/8" = 1'-0"

2 ADMIN BUILDING - PLUMBING
SCALE: 1/8" = 1'-0"

12 FIRE SERVICE ENTRANCE DIAGRAM
SCALE: 1/8" = 1'-0"



- CODED NOTES**
1. SHOWER TO BE INSTALLED IN REAR OF OFFICE 12. SEE PLAN FOR CONNECTION.
 2. 1/2" COLD WATER FROM SHOWER TO BE INSTALLED IN REAR OF OFFICE 12. SEE PLAN FOR CONNECTION.
 3. 1/2" COLD WATER FROM SHOWER TO BE INSTALLED IN REAR OF OFFICE 12. SEE PLAN FOR CONNECTION.
 4. 1/2" COLD WATER FROM SHOWER TO BE INSTALLED IN REAR OF OFFICE 12. SEE PLAN FOR CONNECTION.
 5. 1/2" COLD WATER FROM SHOWER TO BE INSTALLED IN REAR OF OFFICE 12. SEE PLAN FOR CONNECTION.
 6. 1/2" COLD WATER FROM SHOWER TO BE INSTALLED IN REAR OF OFFICE 12. SEE PLAN FOR CONNECTION.
 7. 1/2" COLD WATER FROM SHOWER TO BE INSTALLED IN REAR OF OFFICE 12. SEE PLAN FOR CONNECTION.
 8. 1/2" COLD WATER FROM SHOWER TO BE INSTALLED IN REAR OF OFFICE 12. SEE PLAN FOR CONNECTION.
 9. 1/2" COLD WATER FROM SHOWER TO BE INSTALLED IN REAR OF OFFICE 12. SEE PLAN FOR CONNECTION.
 10. 1/2" COLD WATER FROM SHOWER TO BE INSTALLED IN REAR OF OFFICE 12. SEE PLAN FOR CONNECTION.
 11. 1/2" COLD WATER FROM SHOWER TO BE INSTALLED IN REAR OF OFFICE 12. SEE PLAN FOR CONNECTION.
 12. 1/2" COLD WATER FROM SHOWER TO BE INSTALLED IN REAR OF OFFICE 12. SEE PLAN FOR CONNECTION.



- PLUMBING EQUIPMENT**
1. SHOWER TO BE INSTALLED IN REAR OF OFFICE 12. SEE PLAN FOR CONNECTION.
2. 1/2" COLD WATER FROM SHOWER TO BE INSTALLED IN REAR OF OFFICE 12. SEE PLAN FOR CONNECTION.
3. 1/2" COLD WATER FROM SHOWER TO BE INSTALLED IN REAR OF OFFICE 12. SEE PLAN FOR CONNECTION.
4. 1/2" COLD WATER FROM SHOWER TO BE INSTALLED IN REAR OF OFFICE 12. SEE PLAN FOR CONNECTION.
5. 1/2" COLD WATER FROM SHOWER TO BE INSTALLED IN REAR OF OFFICE 12. SEE PLAN FOR CONNECTION.
6. 1/2" COLD WATER FROM SHOWER TO BE INSTALLED IN REAR OF OFFICE 12. SEE PLAN FOR CONNECTION.
7. 1/2" COLD WATER FROM SHOWER TO BE INSTALLED IN REAR OF OFFICE 12. SEE PLAN FOR CONNECTION.
8. 1/2" COLD WATER FROM SHOWER TO BE INSTALLED IN REAR OF OFFICE 12. SEE PLAN FOR CONNECTION.
9. 1/2" COLD WATER FROM SHOWER TO BE INSTALLED IN REAR OF OFFICE 12. SEE PLAN FOR CONNECTION.
10. 1/2" COLD WATER FROM SHOWER TO BE INSTALLED IN REAR OF OFFICE 12. SEE PLAN FOR CONNECTION.
11. 1/2" COLD WATER FROM SHOWER TO BE INSTALLED IN REAR OF OFFICE 12. SEE PLAN FOR CONNECTION.
12. 1/2" COLD WATER FROM SHOWER TO BE INSTALLED IN REAR OF OFFICE 12. SEE PLAN FOR CONNECTION.

WASTE CONTROL SPECIALISTS
LLRW LICENSE APPLICATION
ADMINISTRATION & TQEQ BUILDINGS
- PLUMBING PLANS

MO 04
SHEET NUMBER

URS
Washington Division
255 East Washington Street, Suite 400
Salt Lake City, Utah 84102
Phone: (801) 521-1100
Fax: (801) 521-4000

DES. BY: HDJ 6/1/09
DR BY: HDJ 6/1/09
CHK BY: HDJ 6/1/09
APP BY: JGR 6/1/09

DRAWING CONTROL NUMBER:
WCS-LLRW-15-11-430-927

REV.	DATE	DESCRIPTION	APP BY.
1	05/01/2003	FINAL FOR CONSTRUCTION	MSD

THE SEAL RETURNED TO THE DOCUMENT HAS
BEEN REPRODUCED BY THE SEALING UNIT
6/1/2009

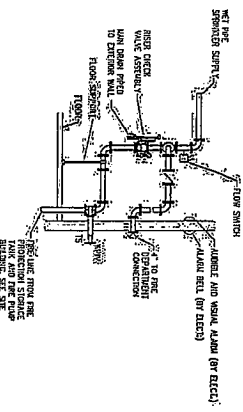


PLUMBING NOTES

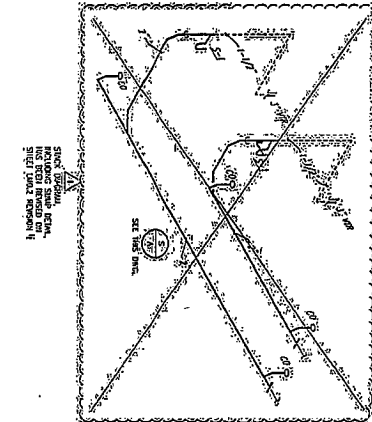
SEE SHEET
LLRW-03, REV. 1

SEE DRAWING 03 FOR COORDINATE NOTES.

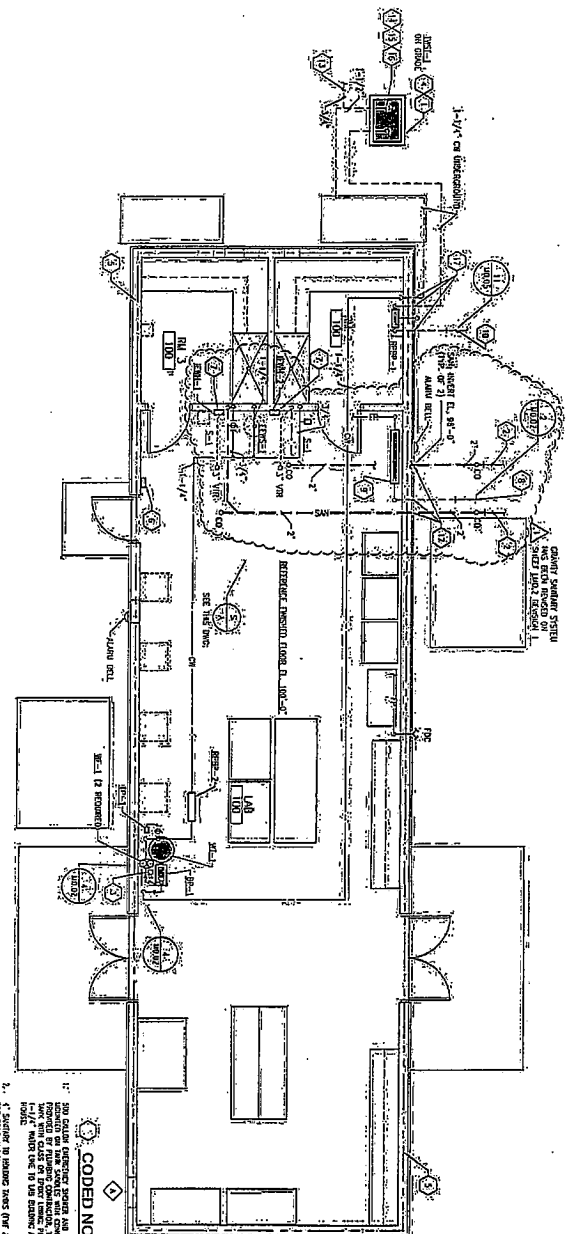
ENTRANCE SERVICE
SCALE: 1/4" = 1'-0"



STACK DIAGRAM
SCALE: 1/4" = 1'-0"



WCS LAB BUILDING PLAN - PLUMBING
SCALE: 1/4" = 1'-0"



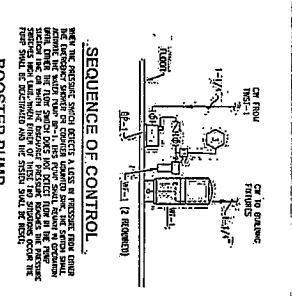
CODED NOTES

1. 300 CUBIC FEET WATER STORAGE CAPACITY IN ROOMS FOR USE AS STORAGE FOR WATER TO BE USED FOR FIRE FIGHTING PURPOSES.
2. 1/2" WATER MAIN SHALL BE INSTALLED IN ALL ROOMS.
3. 1/2" WATER MAIN SHALL BE INSTALLED IN ALL ROOMS.
4. 1/2" WATER MAIN SHALL BE INSTALLED IN ALL ROOMS.
5. 1/2" WATER MAIN SHALL BE INSTALLED IN ALL ROOMS.
6. 1/2" WATER MAIN SHALL BE INSTALLED IN ALL ROOMS.
7. 1/2" WATER MAIN SHALL BE INSTALLED IN ALL ROOMS.
8. 1/2" WATER MAIN SHALL BE INSTALLED IN ALL ROOMS.
9. 1/2" WATER MAIN SHALL BE INSTALLED IN ALL ROOMS.
10. 1/2" WATER MAIN SHALL BE INSTALLED IN ALL ROOMS.
11. 1/2" WATER MAIN SHALL BE INSTALLED IN ALL ROOMS.
12. 1/2" WATER MAIN SHALL BE INSTALLED IN ALL ROOMS.
13. 1/2" WATER MAIN SHALL BE INSTALLED IN ALL ROOMS.
14. 1/2" WATER MAIN SHALL BE INSTALLED IN ALL ROOMS.
15. 1/2" WATER MAIN SHALL BE INSTALLED IN ALL ROOMS.
16. 1/2" WATER MAIN SHALL BE INSTALLED IN ALL ROOMS.
17. 1/2" WATER MAIN SHALL BE INSTALLED IN ALL ROOMS.
18. 1/2" WATER MAIN SHALL BE INSTALLED IN ALL ROOMS.
19. 1/2" WATER MAIN SHALL BE INSTALLED IN ALL ROOMS.
20. 1/2" WATER MAIN SHALL BE INSTALLED IN ALL ROOMS.

DRAWING NOTES

1. ALL WORK SHALL BE IN ACCORDANCE WITH THE LATEST EDITIONS OF THE UPC AND THE IBC.
2. ALL WORK SHALL BE IN ACCORDANCE WITH THE LATEST EDITIONS OF THE UPC AND THE IBC.
3. ALL WORK SHALL BE IN ACCORDANCE WITH THE LATEST EDITIONS OF THE UPC AND THE IBC.
4. ALL WORK SHALL BE IN ACCORDANCE WITH THE LATEST EDITIONS OF THE UPC AND THE IBC.
5. ALL WORK SHALL BE IN ACCORDANCE WITH THE LATEST EDITIONS OF THE UPC AND THE IBC.
6. ALL WORK SHALL BE IN ACCORDANCE WITH THE LATEST EDITIONS OF THE UPC AND THE IBC.
7. ALL WORK SHALL BE IN ACCORDANCE WITH THE LATEST EDITIONS OF THE UPC AND THE IBC.
8. ALL WORK SHALL BE IN ACCORDANCE WITH THE LATEST EDITIONS OF THE UPC AND THE IBC.
9. ALL WORK SHALL BE IN ACCORDANCE WITH THE LATEST EDITIONS OF THE UPC AND THE IBC.
10. ALL WORK SHALL BE IN ACCORDANCE WITH THE LATEST EDITIONS OF THE UPC AND THE IBC.
11. ALL WORK SHALL BE IN ACCORDANCE WITH THE LATEST EDITIONS OF THE UPC AND THE IBC.
12. ALL WORK SHALL BE IN ACCORDANCE WITH THE LATEST EDITIONS OF THE UPC AND THE IBC.
13. ALL WORK SHALL BE IN ACCORDANCE WITH THE LATEST EDITIONS OF THE UPC AND THE IBC.
14. ALL WORK SHALL BE IN ACCORDANCE WITH THE LATEST EDITIONS OF THE UPC AND THE IBC.
15. ALL WORK SHALL BE IN ACCORDANCE WITH THE LATEST EDITIONS OF THE UPC AND THE IBC.
16. ALL WORK SHALL BE IN ACCORDANCE WITH THE LATEST EDITIONS OF THE UPC AND THE IBC.
17. ALL WORK SHALL BE IN ACCORDANCE WITH THE LATEST EDITIONS OF THE UPC AND THE IBC.
18. ALL WORK SHALL BE IN ACCORDANCE WITH THE LATEST EDITIONS OF THE UPC AND THE IBC.
19. ALL WORK SHALL BE IN ACCORDANCE WITH THE LATEST EDITIONS OF THE UPC AND THE IBC.
20. ALL WORK SHALL BE IN ACCORDANCE WITH THE LATEST EDITIONS OF THE UPC AND THE IBC.

SEQUENCE OF CONTROL
SCALE: 1/4" = 1'-0"



PLUMBING EQUIPMENT
SCALE: 1/4" = 1'-0"

- 1. 1/2" WATER MAIN
- 2. 1/2" WATER MAIN
- 3. 1/2" WATER MAIN
- 4. 1/2" WATER MAIN
- 5. 1/2" WATER MAIN
- 6. 1/2" WATER MAIN
- 7. 1/2" WATER MAIN
- 8. 1/2" WATER MAIN
- 9. 1/2" WATER MAIN
- 10. 1/2" WATER MAIN
- 11. 1/2" WATER MAIN
- 12. 1/2" WATER MAIN
- 13. 1/2" WATER MAIN
- 14. 1/2" WATER MAIN
- 15. 1/2" WATER MAIN
- 16. 1/2" WATER MAIN
- 17. 1/2" WATER MAIN
- 18. 1/2" WATER MAIN
- 19. 1/2" WATER MAIN
- 20. 1/2" WATER MAIN

PLUMBING NOTES

1. ALL WORK SHALL BE IN ACCORDANCE WITH THE LATEST EDITIONS OF THE UPC AND THE IBC.
2. ALL WORK SHALL BE IN ACCORDANCE WITH THE LATEST EDITIONS OF THE UPC AND THE IBC.
3. ALL WORK SHALL BE IN ACCORDANCE WITH THE LATEST EDITIONS OF THE UPC AND THE IBC.
4. ALL WORK SHALL BE IN ACCORDANCE WITH THE LATEST EDITIONS OF THE UPC AND THE IBC.
5. ALL WORK SHALL BE IN ACCORDANCE WITH THE LATEST EDITIONS OF THE UPC AND THE IBC.
6. ALL WORK SHALL BE IN ACCORDANCE WITH THE LATEST EDITIONS OF THE UPC AND THE IBC.
7. ALL WORK SHALL BE IN ACCORDANCE WITH THE LATEST EDITIONS OF THE UPC AND THE IBC.
8. ALL WORK SHALL BE IN ACCORDANCE WITH THE LATEST EDITIONS OF THE UPC AND THE IBC.
9. ALL WORK SHALL BE IN ACCORDANCE WITH THE LATEST EDITIONS OF THE UPC AND THE IBC.
10. ALL WORK SHALL BE IN ACCORDANCE WITH THE LATEST EDITIONS OF THE UPC AND THE IBC.
11. ALL WORK SHALL BE IN ACCORDANCE WITH THE LATEST EDITIONS OF THE UPC AND THE IBC.
12. ALL WORK SHALL BE IN ACCORDANCE WITH THE LATEST EDITIONS OF THE UPC AND THE IBC.
13. ALL WORK SHALL BE IN ACCORDANCE WITH THE LATEST EDITIONS OF THE UPC AND THE IBC.
14. ALL WORK SHALL BE IN ACCORDANCE WITH THE LATEST EDITIONS OF THE UPC AND THE IBC.
15. ALL WORK SHALL BE IN ACCORDANCE WITH THE LATEST EDITIONS OF THE UPC AND THE IBC.
16. ALL WORK SHALL BE IN ACCORDANCE WITH THE LATEST EDITIONS OF THE UPC AND THE IBC.
17. ALL WORK SHALL BE IN ACCORDANCE WITH THE LATEST EDITIONS OF THE UPC AND THE IBC.
18. ALL WORK SHALL BE IN ACCORDANCE WITH THE LATEST EDITIONS OF THE UPC AND THE IBC.
19. ALL WORK SHALL BE IN ACCORDANCE WITH THE LATEST EDITIONS OF THE UPC AND THE IBC.
20. ALL WORK SHALL BE IN ACCORDANCE WITH THE LATEST EDITIONS OF THE UPC AND THE IBC.

WASTE CONTROL SPECIALISTS
LLRW LICENSE APPLICATION
LABORATORY BUILDING
PLUMBING PLANS

MO 02

URS
Washington Division
750 East Washington Street, Suite 100
St. Louis, MO 63101
Phone: (801) 904-4000
Fax: (801) 904-4100

DESIGNER: HOJ 6/1/09
DR BY: HOJ 6/1/09
CHK BY: HOJ 6/1/09
APP BY: HOJ 6/1/09

DRAWING CONTROL NUMBER:
WCS-LLRW-15-11-430-925

REV.	DATE	DESCRIPTION	APP BY
1	05/20/2009	WCS RESPONSIBLE	MSD
2	05/20/2009	FINAL FOR CONSTRUCTION	MSD